

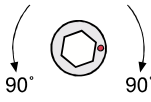
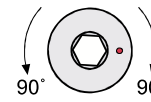
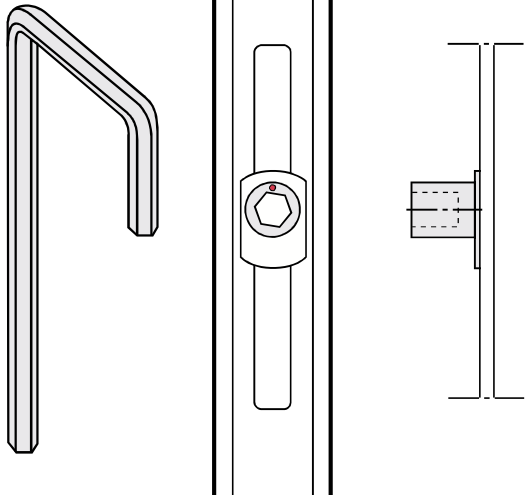
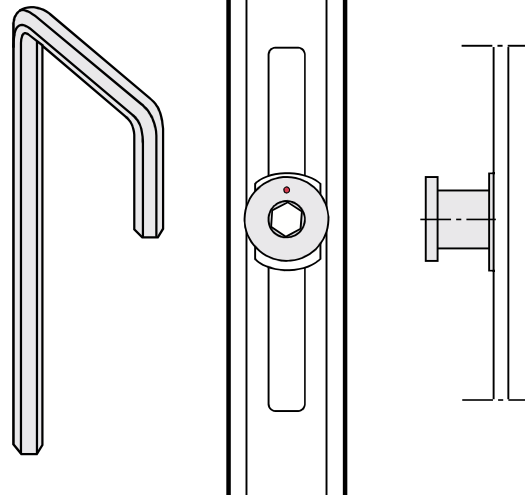

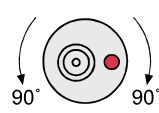
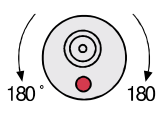
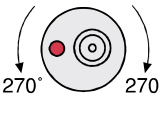
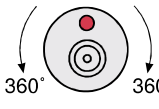


# Adjustable Cam

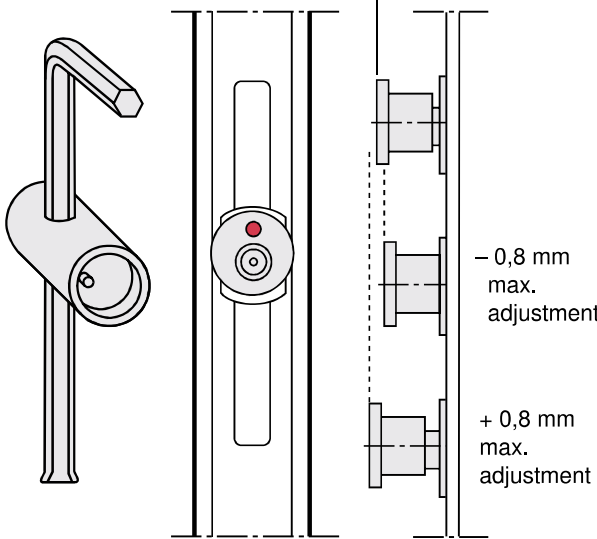
Cam <b>E</b>	Adjustment in Degrees	Closing pressure adjustment in mm	Cam <b>P</b>	Adjustment in Degrees	Closing pressure adjustment in mm
	Base Position 	—		Base Position 	—
	 90° 90°	+/- 0.8		 90° 90°	+/- 0,8

	
--	---

Cam <b>V</b>	Adjustment in Degrees	Closing pressure adjustment in mm	Height adjustment in mm
	Base Position 	—	—
	 90° 90°	+/- 0,8	+/- 0,2
	 180° 180°	—	+/- 0,4
	 270° 270°	+/- 0,8	+/- 0,6
	 360° 360°	—	+/- 0,8

	0 = Base position	- 0,8 mm max. adjustment	+ 0,8 mm max. adjustment
---	-------------------	--------------------------	--------------------------